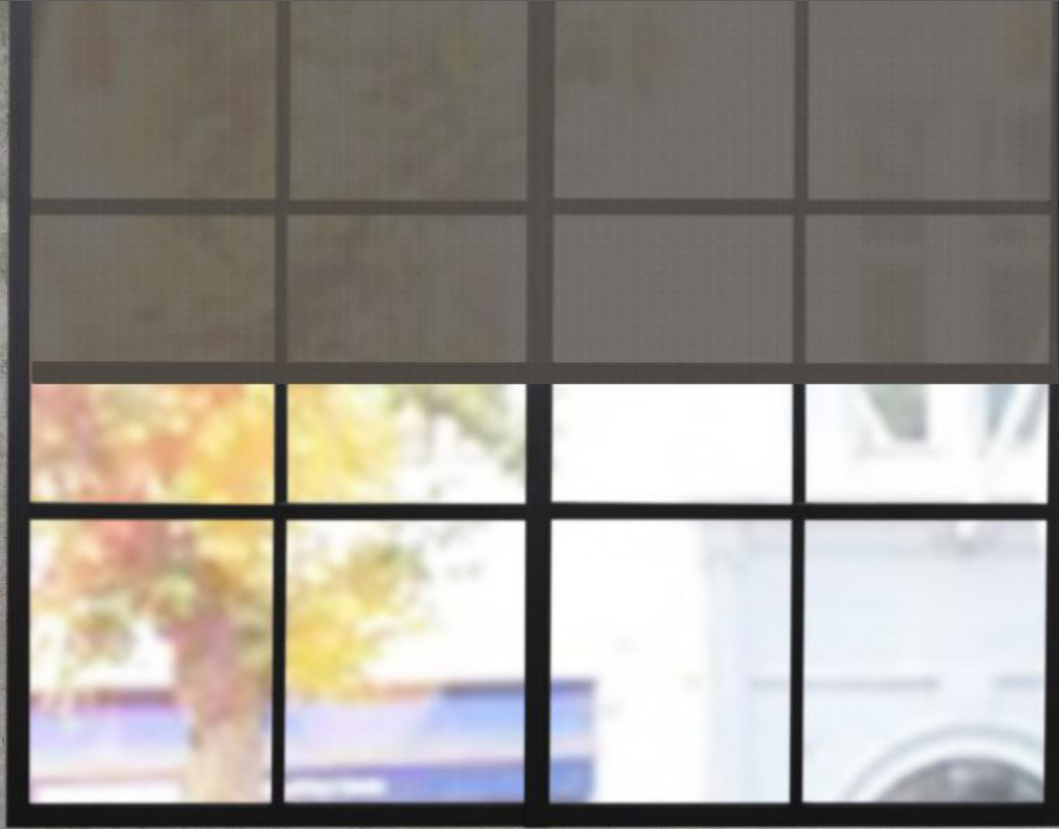
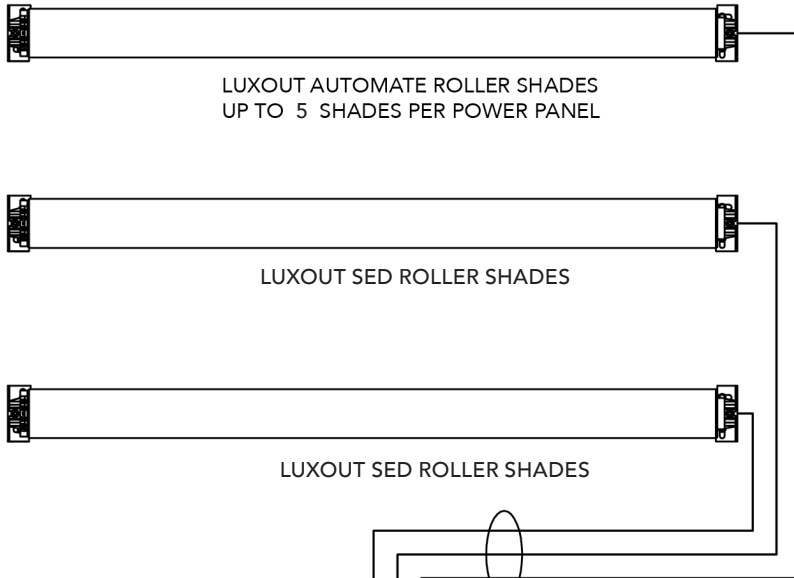


SED LOW VOLTAGE MOTOR SYSTEMS



- 1 WIRING DIAGRAMS
- 3 POWER PANEL INSTALLATION & OPERATING INSTRUCTIONS
- 9 WIRELESS CONTROLLERS
- 10 25MM DRIVE (WIRELESS)
28MM DRIVE (WIRED & WIRELESS)
- 11 50MM DC WIRED
28MM AC WIRED
- 12 ARM 5 PANEL INTEGRATION
- 15 SUBMITTAL PACKAGE



TYPICAL LUXOUT AUTOMATE LOW VOLTAGE WIRING - 1 Simple Room

NOTE:

1. Maximum total wire run per automate power panel 2000 FT (600M).
2. Maximum number of panels per circuit feed (breaker)
 - 15 AMP circuit = 1
 - 20 AMP circuit = 2
3. LuXout Shade power panels should have a dedicated circuit feed.
4. Up to 5 shades per panel.

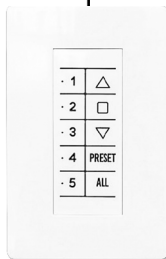
Wire legend

Max wire home run panel to shade

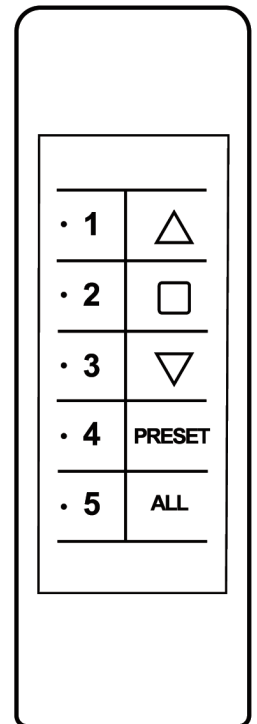
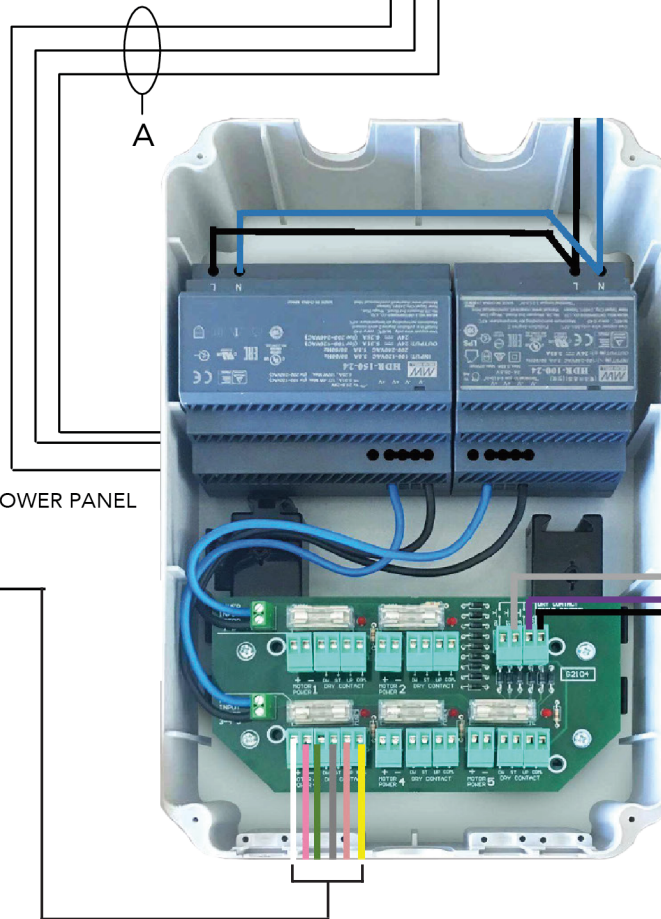
- A-16 AWG, 2 wire ----- 200 FT per run
- 18 AWG, 2 wire ----- 125 FT per run

LUXOUT AUTOMATE POWER PANEL
LSPP 24V-10A-5S

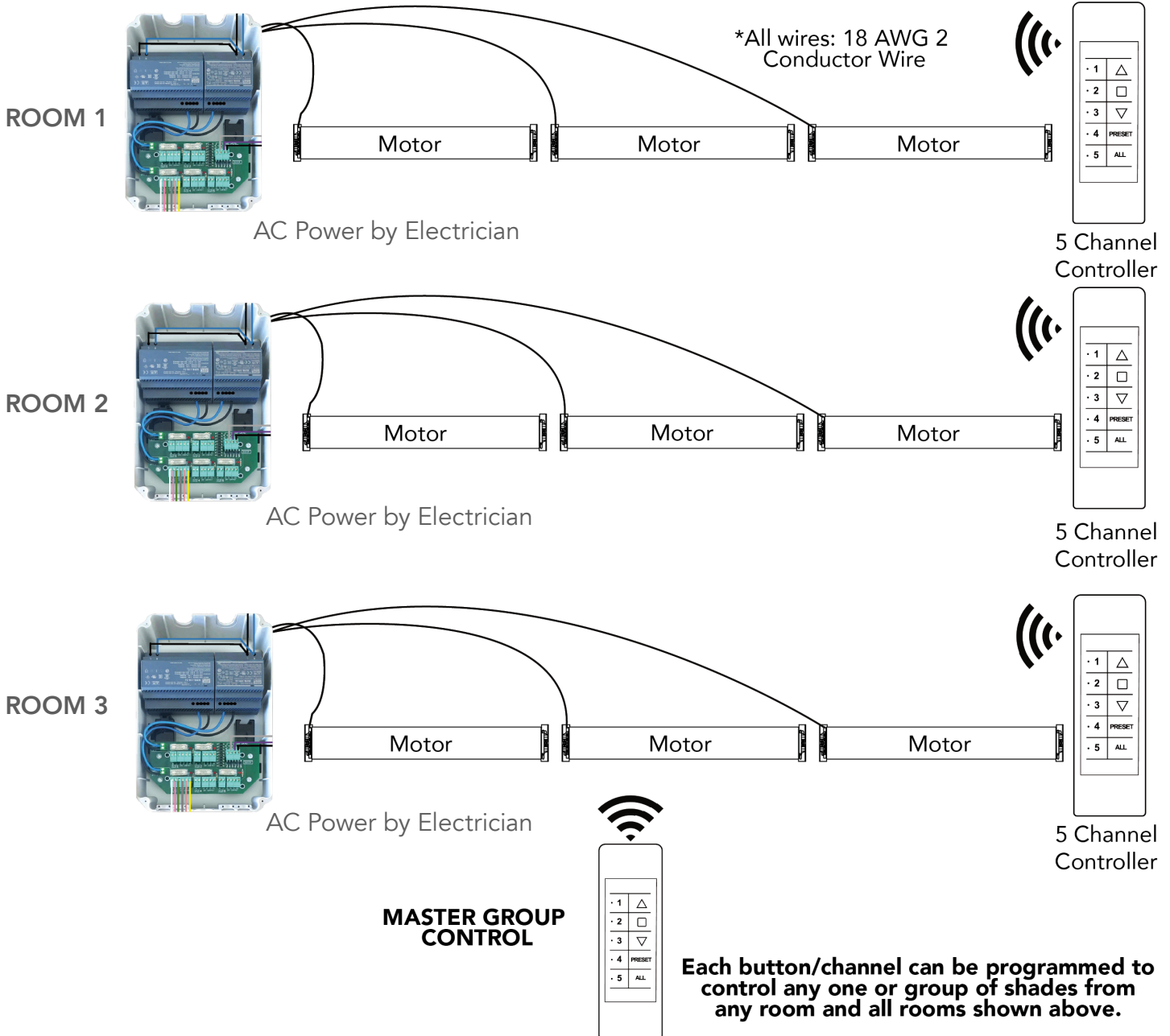
(OPTION WIRED KEYPAD)



CONTACT CLOSURE KEYPAD



PROJECT: _____
 SPECIFIER: _____
 CONTRACTOR: _____
 SUPPLIER: _____
 DATE: _____ REVISED: _____



LUXOUT SHADES

1221 Admiral Street
Richmond, VA 23220

LuXoutShades.com
Office: 800.817.1204

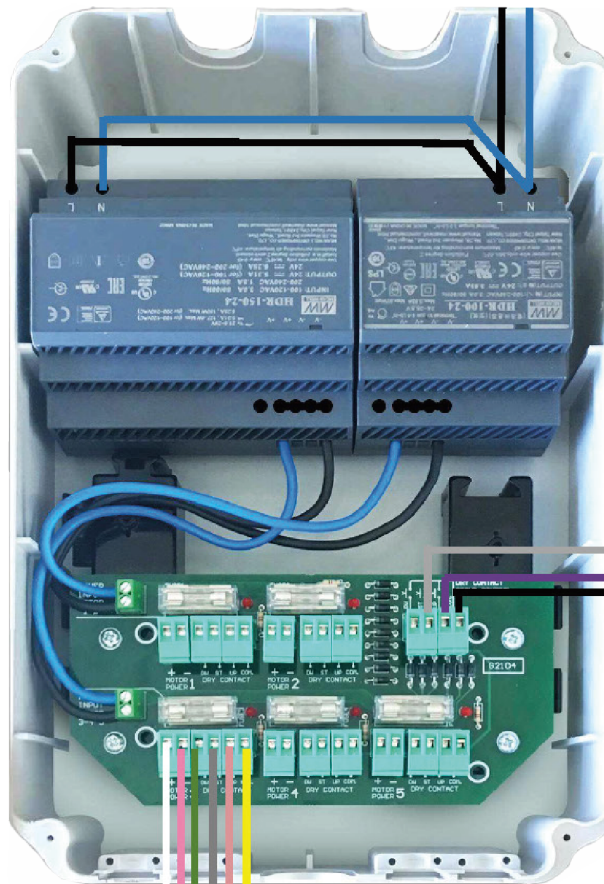
PROJECT: _____
 SPECIFIER: _____
 CONTRACTOR: _____
 SUPPLIER: _____
 DATE: _____ REVISED: _____

ARM5 LSPP-24V-10A-5S 5 Output Power Supply Panel

Installation Instructions

LuXout Shade 5 Output Power Panel
For use with LuXout Shades

100 - 120VAC/6.8A
200 - 240VAC/3.4A
24VDC 10A



SHOCK HAZARD

Risk of serious injury or death. Lock circuit breaker in the off position before servicing.



LUXOUT SHADES

1221 Admiral Street
Richmond, VA 23220

LuXoutShades.com
Office: 800.817.1204

PROJECT: _____
SPECIFIER: _____
CONTRACTOR: _____
SUPPLIER: _____
DATE: _____ REVISED: _____

ARM5 LSPP-24V-10A-5S

Installation Instructions

LuXout Shade 18 Output Power Panel
For use with LuXout Shades

100 - 120VAC/6.8A
200 - 240VAC/3.4A
12VDC 10A

Installation Instructions (save these instructions)

Read and Follow all instructions.

Tools Required:

Wire Cutter/Stripper

#2 Flat-Head Screwdriver

Power Drill

#2 Phillips Screwdriver

NOTE: Mounting hardware is not included due to the wide variety of wall materials. Customer should determine the appropriate mounting hardware for their specific needs.

Box Contents:

LSPP-12V-10A-5S

The Output Power Supply Panel is a surface mount

power supply for use with 24 volt powered shades.

1

Important Notes

1A

1. All wiring must be in accordance with national and local codes
2. Note: Secondary wiring must be of type CL2, CL2P, CL2R, CL2X or other cable with equivalent or better electrical, mechanical, and flammability ratings in accordance with all local and national electric codes.
3. LSPP-24V-10A-5S needs to be installed by a qualified electrician.
4. Ambient operating temperature: 32 to 104F (0 to 40C), 0-90% humidity, non-condensing.
5. This product is intended for indoor use only.
6. This panel may not be compatible with any other shade devices.



LUXOUT SHADES

1221 Admiral Street
Richmond, VA 23220

LuXoutShades.com
Office: 800.817.1204

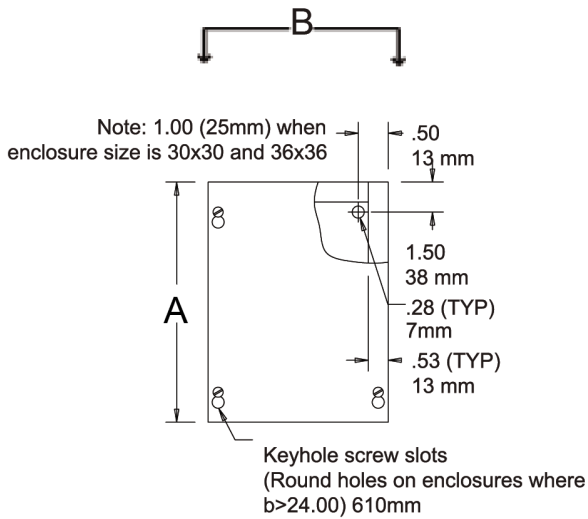
PROJECT: _____
SPECIFIER: _____
CONTRACTOR: _____
SUPPLIER: _____
DATE: _____ REVISED: _____

2 Installation

- 2A
1. Choose panel mounting location so line voltage wiring is at least 6 ft (1.8 m) from audio or electronic equipment and associated wiring (prevents radio frequency interference).
 2. Use fasteners rated for a 25 lb (11,3 kg) load.

NOTES:

- Mount the Power Panel in a position where it can be easily located and accessed if service or troubleshooting is necessary.
- Mount the LSP-24V-10A-5S in the orientation shown (Mounting Hardware is not provided). Do not mount in any other orientation.
- For indoor use only.
- Install in accordance with all national and local electrical codes.



A = 11 3/4"

B = 8"

C = 4 3/4"



BOTTOM VIEW



TOP VIEW



LUXOUT SHADES

1221 Admiral Street
Richmond, VA 23220

LuXoutShades.com
Office: 800.817.1204

PROJECT: _____
 SPECIFIER: _____
 CONTRACTOR: _____
 SUPPLIER: _____
 DATE: _____ REVISED: _____

3 Line Voltage Wiring

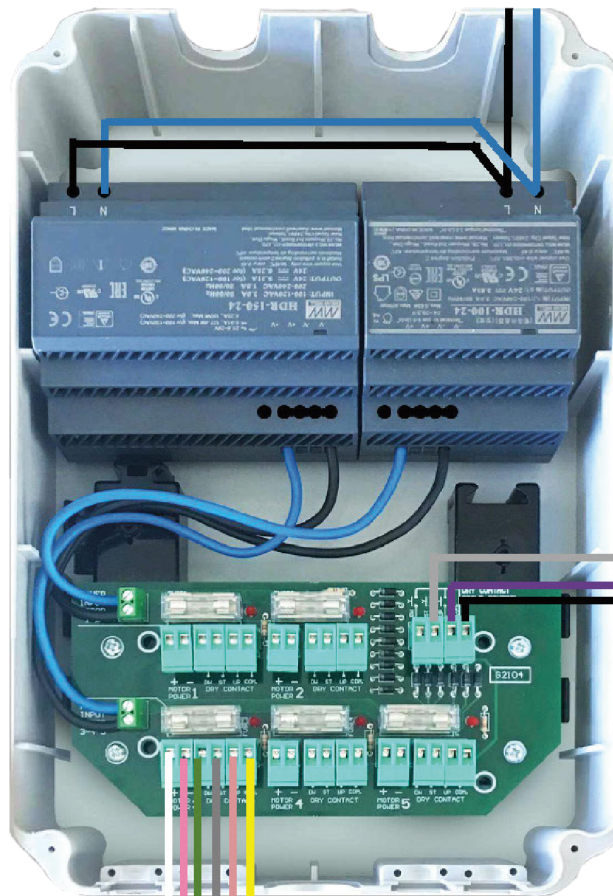
3A

⚠ WARNING

SHOCK HAZARD. Risk of serious injury or death. Locate and lock the supply breaker in the OFF position before wiring to the screw blocks.

Note: Maximum of 2 LSPP-24V-10A-5S power supplies per 20 A breaker, or 1 per 15A breaker.

1. Turn power off to circuit breaker.
2. Plug provided power cord into wall socket.



LUXOUT SHADES

1221 Admiral Street
Richmond, VA 23220

LuXoutShades.com
Office: 800.817.1204

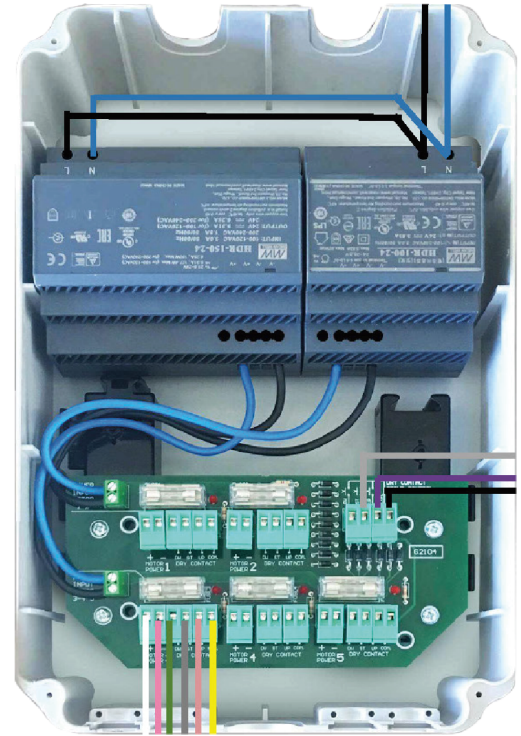
PROJECT: _____
 SPECIFIER: _____
 CONTRACTOR: _____
 SUPPLIER: _____
 DATE: _____ REVISED: _____

4 Low Voltage Wiring

4A **⚠ WARNING SHOCK HAZARD.**
Risk of serious injury or death.
Locate and lock the supply breaker
in the OFF position before wiring to
the terminal blocks.

Note: All secondary wiring must be type CL2, CL2P, CL2R, CL2X or other cable with equivalent or better electrical, mechanical, and flammability ratings in accordance with local and notional electric code.

1. Turn off power to the panel.
2. Route the wire through the strain reliefs and to the output terminal blocks.
3. Strip the wire insulation so that 0.25 in of bare wire is exposed. Insert the Common leads into the (-) Terminal screw and the +24 V leads into the (+) Terminal screw. Tighten the terminal blocks to 3.5 - 5in•lb (0,4, -0,6 N•m). Make sure the wire insulation is not pinched.
4. Close metal cover securely back onto the enclosure and tighten the screws.
5. Restore power to the panel.



Wire Length Chart

Use this chart to determine the maximum wire length, from panel to shade, based on the gauge of the wire that is used.

	16 AWG (1.5 mm ²)	18 AWG (1 mm ²)
Distance to shade	200 ft (60 m)	125 ft (35 m)



LUXOUT SHADES

1221 Admiral Street
Richmond, VA 23220

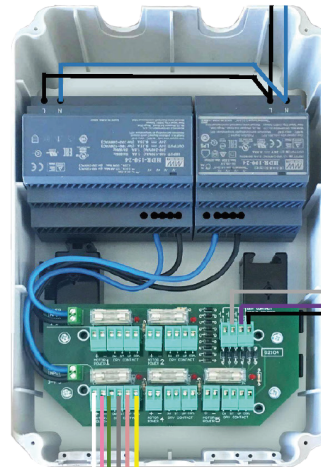
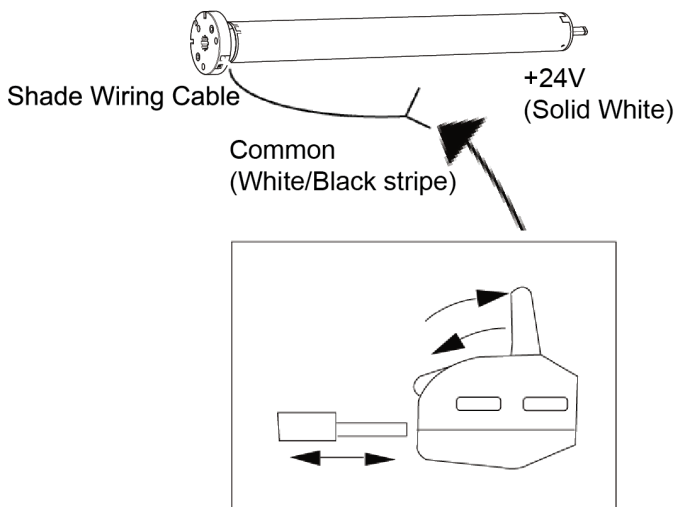
LuXoutShades.com
Office: 800.817.1204

PROJECT: _____
SPECIFIER: _____
CONTRACTOR: _____
SUPPLIER: _____
DATE: _____ REVISED: _____

5 Shade Wiring

5A **⚠ WARNING** **SHOCK HAZARD.**
Risk of serious injury or death.
Locate and lock the supply breaker
in the OFF position before wiring to
the terminal blocks.

1. Turn off power at the circuit breaker.
2. Route the LV wiring to the shade so the connection to the shade wiring can be concealed in the shade headbox. LV wiring may be routed into the headbox either by dropping the wire in through the top of the headbox, or drilling a hole in the shade endcap.
3. Identify the shade wiring cable.
4. Remove 0.25 in (6.3 mm) of the insulation from both the white and white/black wires.
5. Connect the wires to the shade cable using the provided wire connectors.
6. Restore power to the Power Panel and confirm that the shade is energized. Refer to the LuXout Shade Installation and Programming guide for programming and operating instructions.



Connect the secondary wiring to the shade wiring cable via wire connectors provided.
 - Connection should be concealed within headbox.

LUXSHADE WIRELESS CONTROLLERS

LUXSHADE wireless controllers are the new range of portable and wall controllers for the control of LUXSHADE electronic drives. They are flexible, expandable, simple to use.

1 CHANNEL CONTROLLERS

With Favorite Position



**1-CHANNEL
HAND HELD**



**1-CHANNEL
WALL-MOUNTED DEKORA**

5 CHANNEL CONTROLLERS

With Favorite Position/ALL



**5-CHANNEL
HAND HELD
(STANDARD)**



**5-CHANNEL
WALL-MOUNTED DEKORA**



LUXOUT SHADES

1221 Admiral Street
Richmond, VA 23220

LuXoutShades.com
Office: 800.817.1204

PROJECT: _____
 SPECIFIER: _____
 CONTRACTOR: _____
 SUPPLIER: _____
 DATE: _____ REVISED: _____



LUXOUT SHADES

SED (Silent Electronic Drive)



MAIN FEATURES

		Wireless
Models		SED 30DC 25mm Drive
Torque		1.1 Nm
Speed		30 rpm
Power		12 W
Amps		0.85 A
Limit switch type		Electronic
OPTIONS:		-Built-in radio receiver

		Wired & Wireless
Models		SED 30DC 28mm Drive
Torque		2Nm
Speed		28 rpm
Power		25W
Amps		1.10 A
Limit switch type		Electronic
OPTIONS:		-Dry contacts -Built-in radio receiver

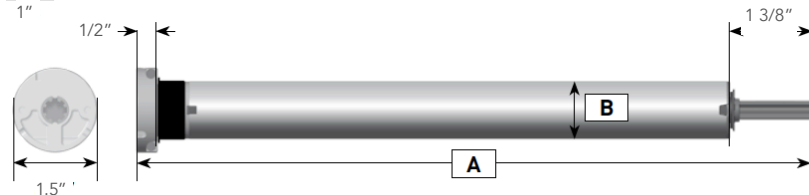
TECHNICAL DATA

Voltage	12VDC
Duty rating	4 min
Radio frequency	434.15 MHz
Protection	IP30
Working temperature	-14°F/+104°F
Insulation class	III

Voltage	24 VDC
Duty rating	4 min
Radio frequency	434.15 MHz
Protection	IP30
Working temperature	-14°F/+104°F
Insulation class	III

DIMENSIONS

Model	A	Ø B
25mm Battery	24" - 1"	
28mm Wired	18" - 1"	
28mm Battery	24" - 1"	



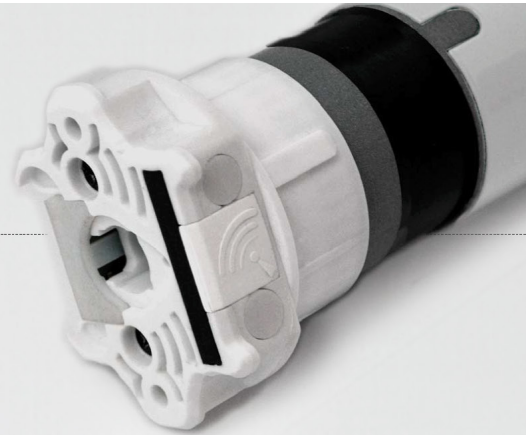
LUXOUT SHADES

1221 Admiral Street
Richmond, VA 23220

LuXoutShades.com
Office: 800.817.1204

PROJECT: _____
 SPECIFIER: _____
 CONTRACTOR: _____
 SUPPLIER: _____
 DATE: _____ REVISED: _____

SED (Silent Electronic Drive) DETAILS



24V - Low voltage range

SED 50 DC 50mm DC Wired

Technical details

Torque (Nm)	Speed (rpm)	P. supply (V)	Power (W)	Absorption (A)	Limit switch max turns
4	26	24	55	2.9	55

Options:

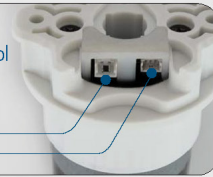
- Dry contacts
- Built-in radio receiver

434MHz

Main features

Standard cable length	0.5 m w/connector	Duty rating	8 min
Wires	2x0.5 mm ²	Protection	IP30
Working temperature	14°F / 104°F		

Power and Control plug-in cables



120V - Line voltage range

SED 50 AC 50mm AC Wired

Technical details

Torque (Nm)	Speed (rpm)	P. supply (V-/Hz)	Absorption (A)	Limit switch max turns
5	25	120/60	0.9	80 - 28

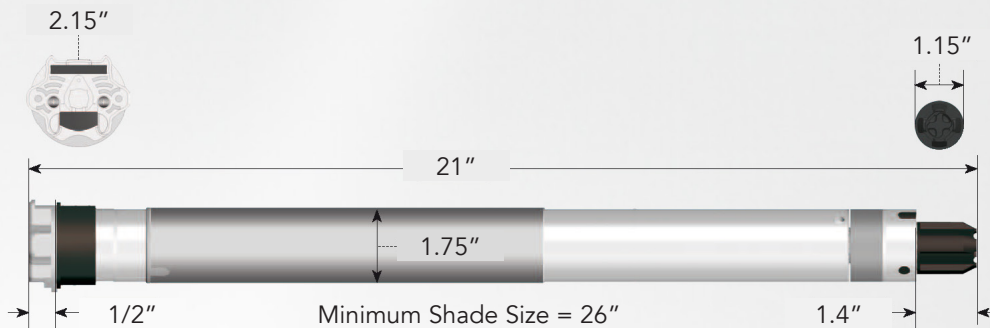
Versions:

- Electronic encoded
- Electronic encoded with built-in radio receiver

434MHz

Main features

Standard cable length	2.5 mt	Duty rating	45 sec ON / 1 min OFF
Wires	3x0.75 mm ²	Protection	IP44
Working temperature	14°F / 104°F		



LUXOUT SHADES

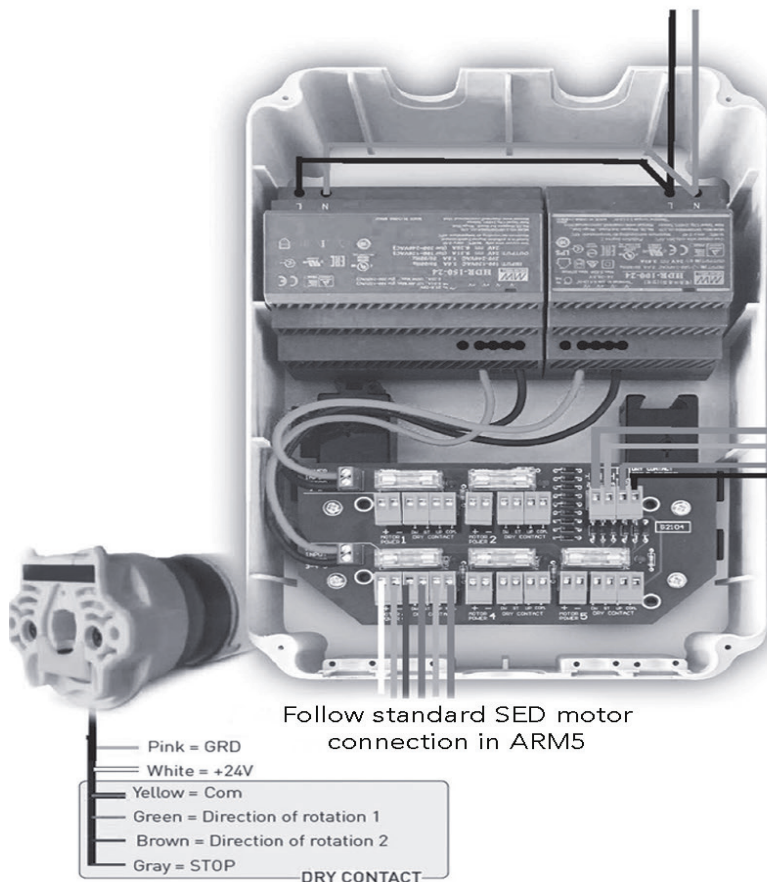
1221 Admiral Street
Richmond, VA 23220

LuXoutShades.com
Office: 800.817.1204

PROJECT: _____
 SPECIFIER: _____
 CONTRACTOR: _____
 SUPPLIER: _____
 DATE: _____ REVISED: _____

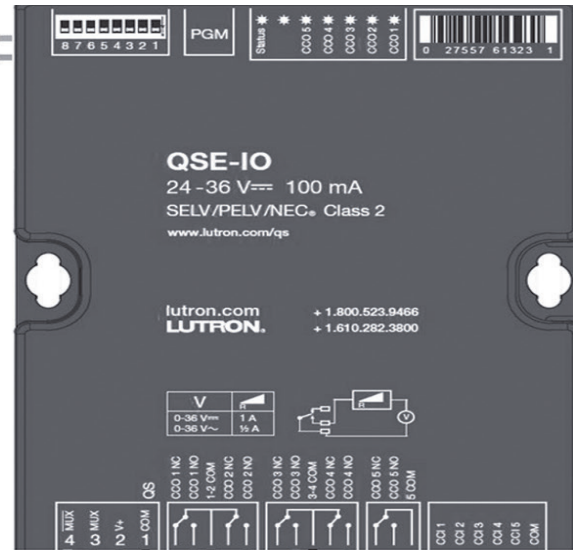
With Lutron or Other Building Automated/Control Systems - Single Group

Luxout Installation Responsibility



Follow standard SED motor connection in ARM5

Lutron QSE-IO Interface similar with other Control System Interfaces.



Integrator Responsibility



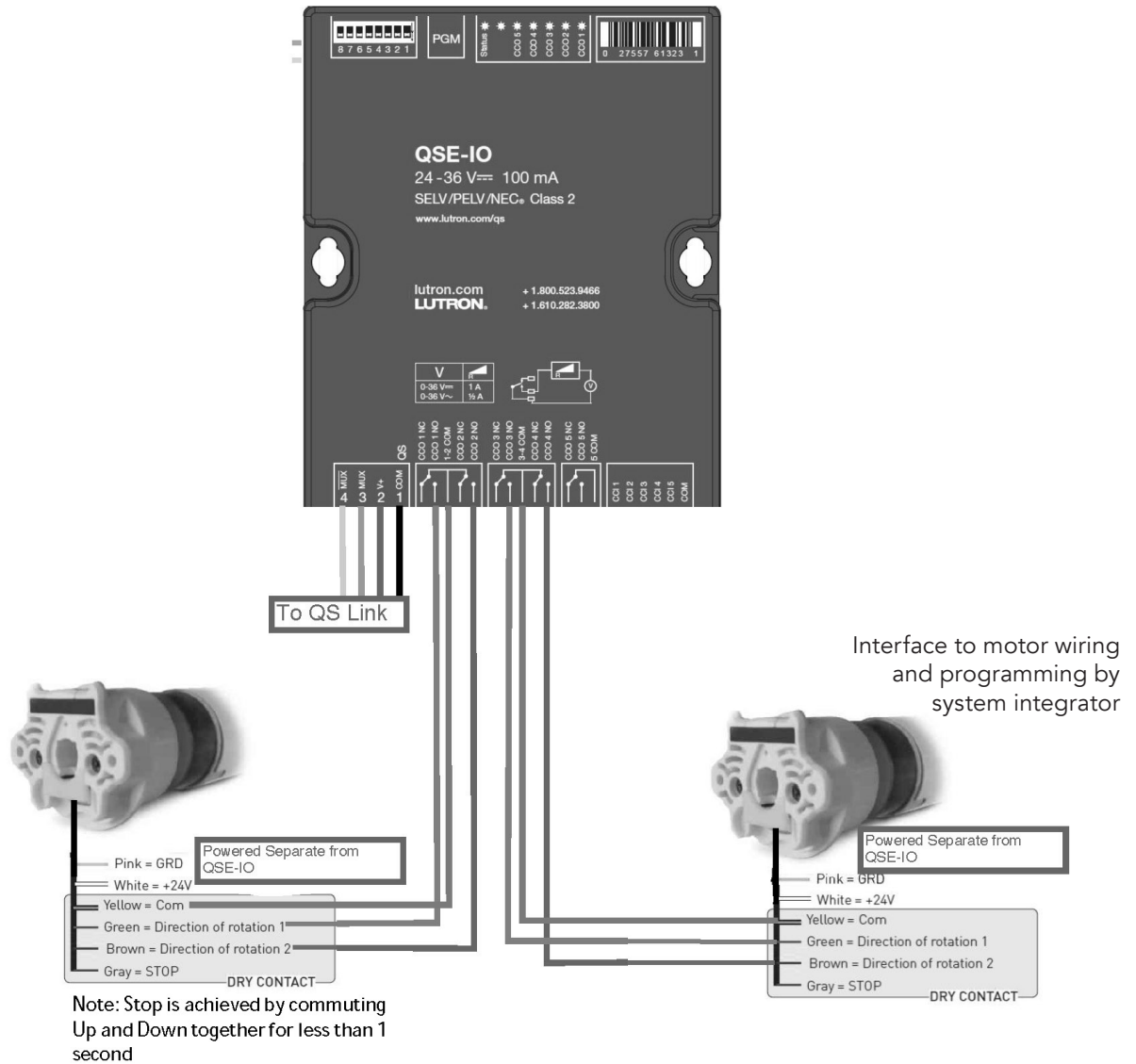
1221 Admiral Street
Richmond, VA 23220

LuXoutShades.com
Office: 800.817.1204

PROJECT: _____
 SPECIFIER: _____
 CONTRACTOR: _____
 SUPPLIER: _____
 DATE: _____ REVISED: _____

With Lutron or Other Building Automated/Control Systems - 2 Groups

Two Groups of Motors Integrated with the QSE-IO
(Add additional QSE-IO's for additional groups)



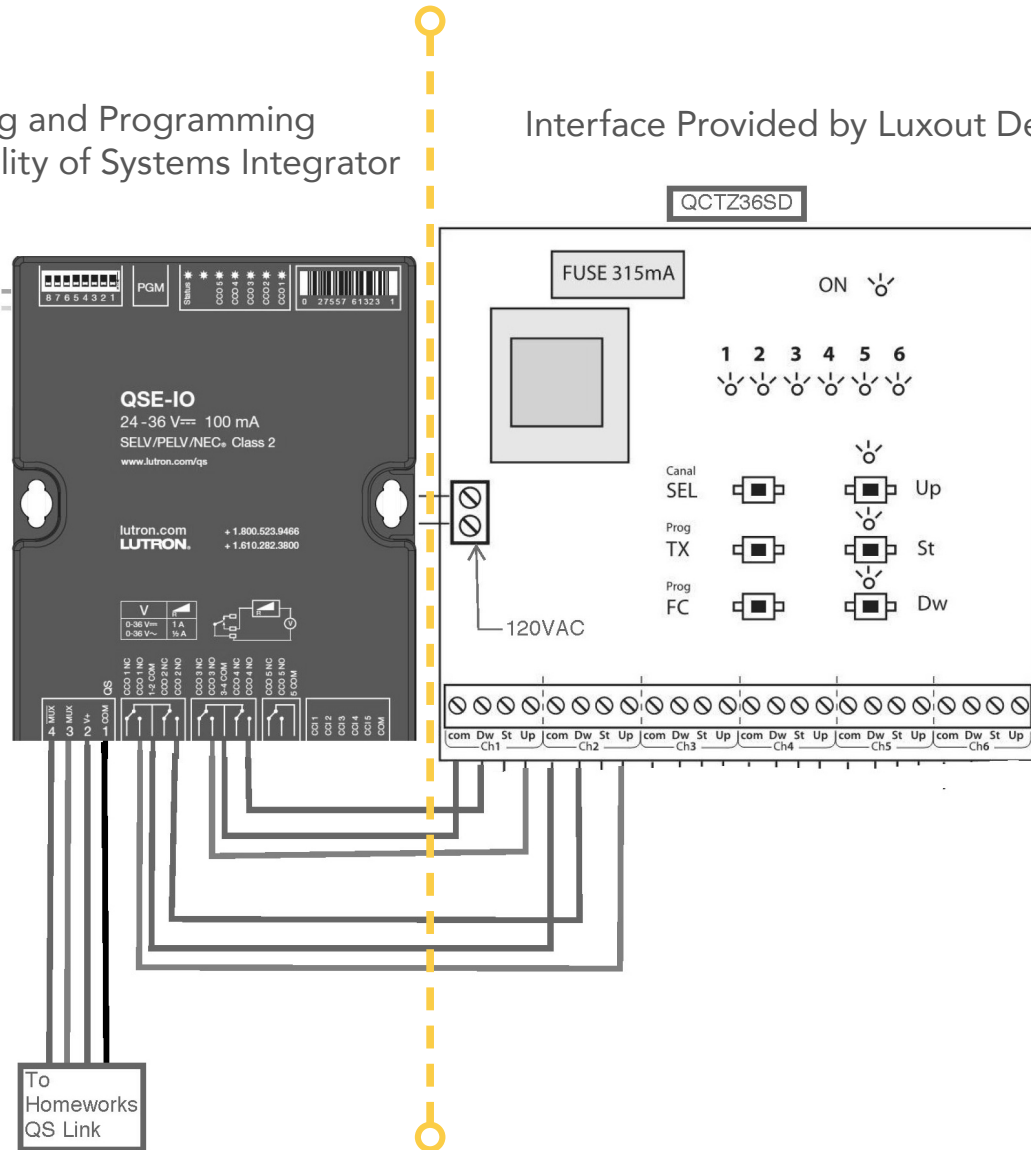
PROJECT: _____
 SPECIFIER: _____
 CONTRACTOR: _____
 SUPPLIER: _____
 DATE: _____ REVISED: _____

With Lutron or Other Building Automated/Control Systems - 2 Groups

Integrated of LuXout RF Wireless Control Shades with Homeworks QS using the QSE-IO
(Similar with other Control System Interfaces)

Wiring and Programming
Responsibility of Systems Integrator

Interface Provided by Luxout Dealer



LUXOUT SHADES

1221 Admiral Street
Richmond, VA 23220

LuXoutShades.com
Office: 800.817.1204

PROJECT: _____
SPECIFIER: _____
CONTRACTOR: _____
SUPPLIER: _____
DATE: _____ REVISED: _____

SED Motorized LuXout® Shade

110 Volt or 24VDC Low-Voltage Motor with Ultra Quiet Operation

Please check all appropriate selections and attach room schedule with verified dimensions.

Select Number of Shades Per Unit

- Single Roller (Standard)
- Dual Roller (Supplemental Fabric & Hardware Sheet Required)

Please Note: If you are specifying a Dual Roller Shade, please complete the options BELOW and attach the SED Motorized Dual Roller Fabric and Hardware Planning Sheet.

Select Motor Location

*As seen from INSIDE the room facing the window.
Also indicate on room schedule.*

- Right Side (standard)
- Left Side

Select Motor

- 24V SED Motor Wired
- 110V SED Motor Wired

Select Transformers (for low voltage SED Motor)

- 1 Motor Plug-In Wall Type
- 5 Motor Power Panel 24V

Select Fabric Orientation

- Regular Roll (rolls off on window side)
- Reverse Roll (rolls off on room side)

Select Hembar Style

- Fabric Wrapped
- Exposed Square
- Silent Exposed



Single Roller Motorized Shade Options

Fabric: _____

Color Name / Number: _____

Openness Factor: _____

Please see LuXout's Shade Fabric Reference Guide for fabric colors and specifications.

Select Single Roller Hardware

- Wall
- Ceiling
- Brackets Only
- Fascia Brackets Only
- Brackets w/Fascia
- Pocket Style Headbox (5x5)
- Hanger
- Closure Panel with Hanger Clip
 - 3" (76mm) Standard
 - 2"
 - 5"

Light Gap Reduction Hardware

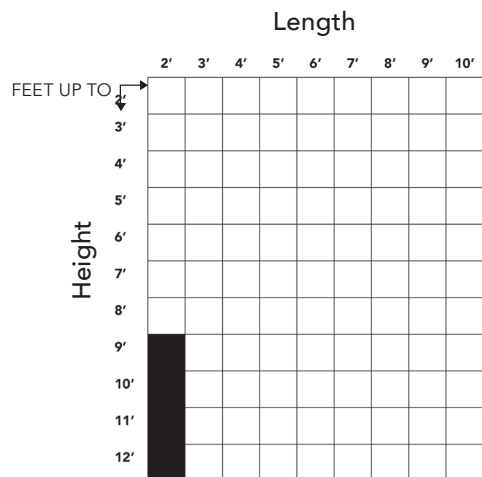
- 'L' Angle
- 'U' Channel
- 'H' Channel
- Channel Liners (Wool Pile)

Select Hardware Finish

(does not apply to Pocket Style Hembox)

- Anodized
- Black
- White (Standard and Pocket Style Headbox)
- Custom (Contact LuXout Shades)

Available Sizes: Minimum Width = 18.5"



For larger sizes contact LuXout Shades Customer Service



1221 Admiral Street
Richmond, VA 23220

LuXoutShades.com
Office: 800.817.1204

PROJECT: _____
 SPECIFIER: _____
 CONTRACTOR: _____
 SUPPLIER: _____
 DATE: _____ REVISED: _____

SED Motorized LuXout[®] Shade Specifications

EQUIPMENT

SED (Silent Electronic Drive) 24V DC or 110 Volt AC: Drive unit inside roller, instantly reversible, lifetime lubricated. Right hand motor location standard; left hand available. Built-in radio receiver and contact closure control. Limit switches adjustable using wall switch or remote control. Regulated power supply required. Sound level ≤ 40 dBA.

HARDWARE

ROLLERS: 2" (50mm) and 2.5" extruded aluminum. Roller assembly easily removable.

MOUNTING BRACKETS: Painted steel stamping. Various sizes depending on mount. Styles for mounting to wall, ceiling, or jamb. Brackets do not require additional adapters.

ROLLER IDLER ASSEMBLY: Injected molded nylon and a cold rolled steel ball bearing pin. Sliding pin for easy installation and removal of the roller.

HEM BAR: Powder coated in black, bronze, white or clear anodized. Oval Half Fabric Wrapped Hem Bar Exposed Square: aluminum with plastic end caps or exposed silent with wall bumper and plastic end caps.

FASCIA: "L" cover of extruded aluminum. Fascia snaps onto end brackets. Clear Anodized, black, white (standard), or bronze powder coat finish available. Continuous fascia available with coupled units.

POCKET HEADBOX: Optional, for pocket installation, includes a "U" shaped back/top/front cover with removable bottom closure flap in white powder coat finish. LARGE SIZE: 5"x5".

LIGHT GAP REDUCTION HARDWARE: Extruded aluminum. Accepts edges of fabric, prevents light gaps. Interior of channel provides for use of flat head screws. Requires exposed silent hem bar.

"L" ANGLE: ¾" x 1" x 12'3" (1.9x2.5x373cm); 1" x 2¾" x 16' (2.5x7x488cm) or cut to length.

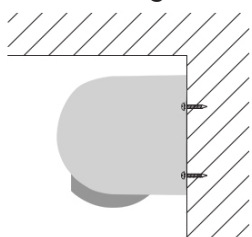
"U" CHANNEL: 1" x 2½" x 16' (2.5x76x488cm) or cut to length.

"H" CHANNEL: 1" x 5" x 16' (2.5 x 152 x 488cm) or cut to length.

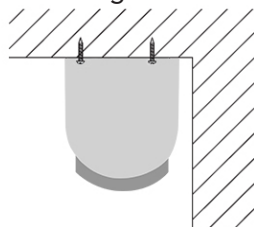
HARDWARE SELECTIONS

Please Note: Brackets and endcaps have the attachment points for mounting an SED Motorized LuXout Shade.

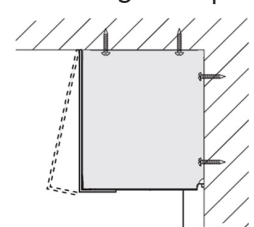
Wall Mounting Bracket



Ceiling Mounting Bracket



Fascia with Ceiling or Wall Mounting Endcaps



LUXOUT SHADES

1221 Admiral Street
Richmond, VA 23220

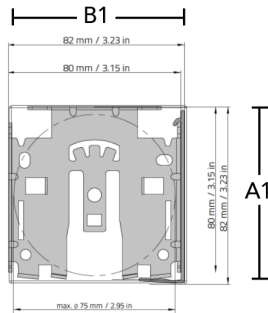
LuXoutShades.com
Office: 800.817.1204

PROJECT: _____
 SPECIFIER: _____
 CONTRACTOR: _____
 SUPPLIER: _____
 DATE: _____ REVISED: _____

SED Motorized LuXout[®] Shade Specifications

HARDWARE SELECTIONS (cont.)

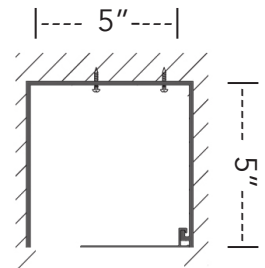
Headbox Installation Option



Pocket Style Headbox

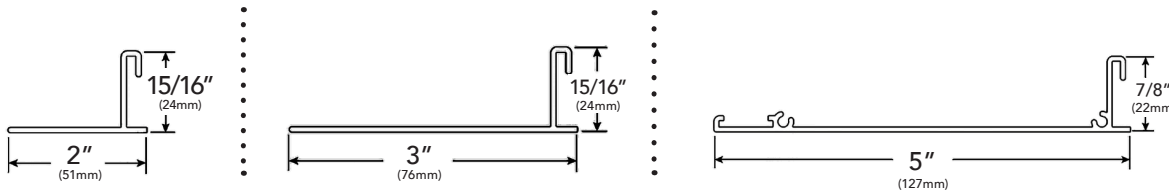
Consists of:

- Extruded pocket
- Bottom closure flap
- Endcaps
- Size: 5"x5"



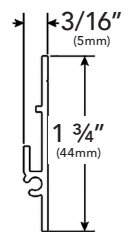
CLOSURE & WALL CLIP OPTIONS

CLOSURE OPTIONS

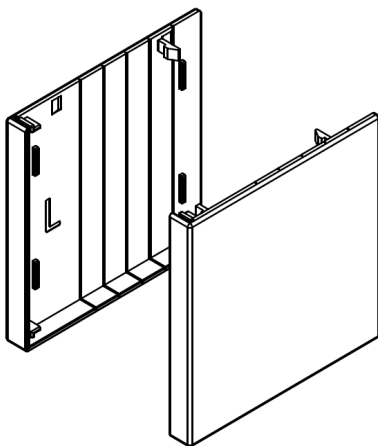


(standard 5x5 pocket)

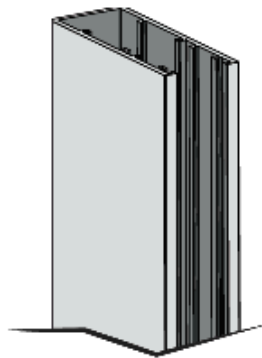
Hanger Details WITHOUT TILE LIP



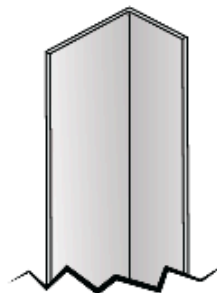
FASCIA ENDCAP COVERS



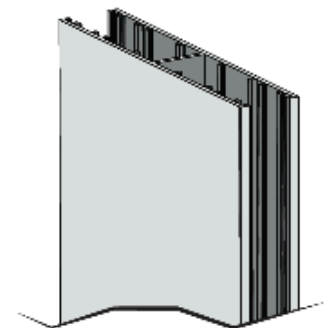
"U" CHANNEL



"L" ANGLE



"H" CHANNEL



LUXOUT SHADES

1221 Admiral Street
Richmond, VA 23220

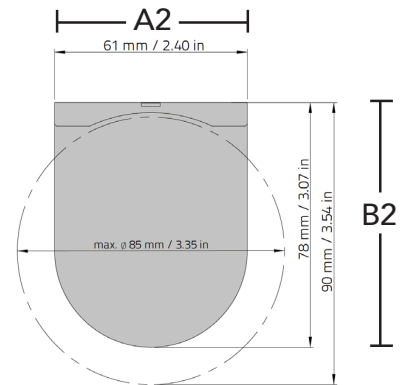
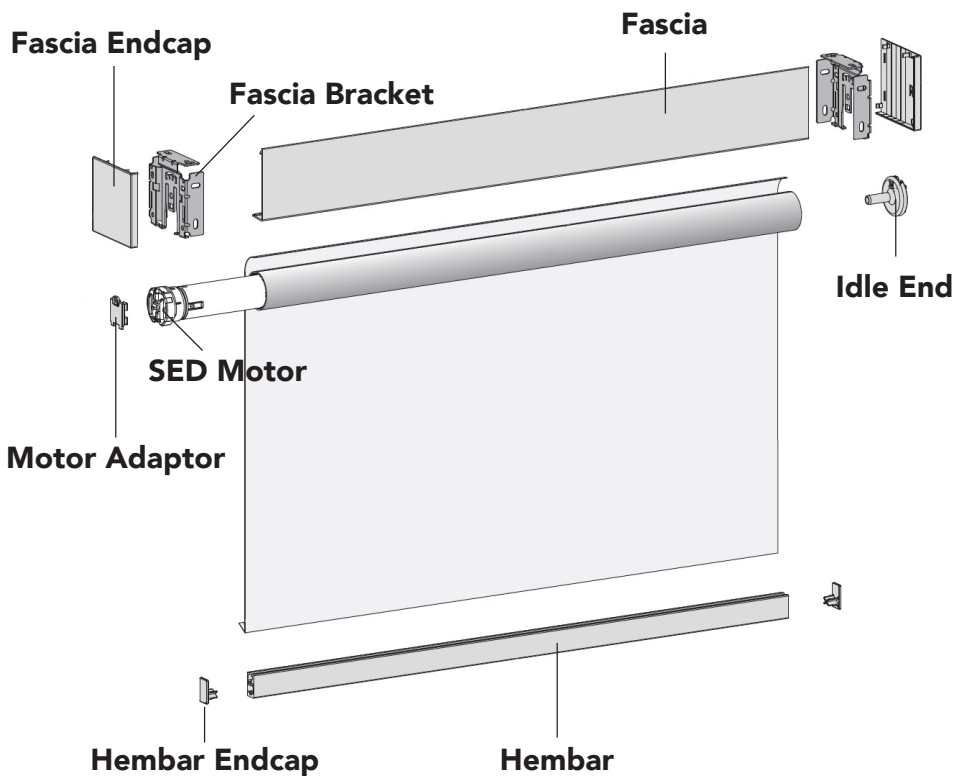
LuXoutShades.com
Office: 800.817.1204

PROJECT: _____
 SPECIFIER: _____
 CONTRACTOR: _____
 SUPPLIER: _____
 DATE: _____ REVISED: _____

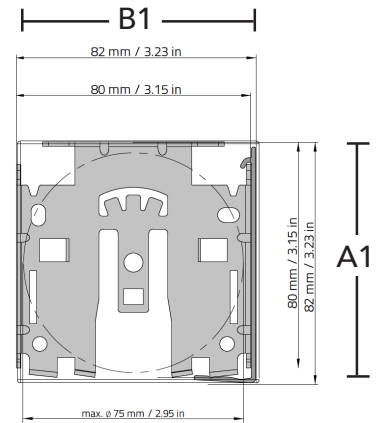
SED Motorized LuXout[®] Shade Specifications

24V Motorized LuXout Shade Dimensions

Fascia Overall Width includes plastic endcap covers. Pair adds 1/8" (3mm) to Overall Width of Small Hardware; 3/16" (5mm) to Overall Width of Large Hardware.



NO HEADBOX BRACKET ONLY



FASCIA BRACKET

ENDCAPS WITH FASCIA

	SMALL		LARGE	
A ¹	3"	95mm	5.3"	135mm
B ¹	3"	76mm	5.3"	135mm

BRACKETS ONLY (No Headbox)

	STANDARD	
A ²	2 3/4"	61mm
B ²	2 3/4"	61mm

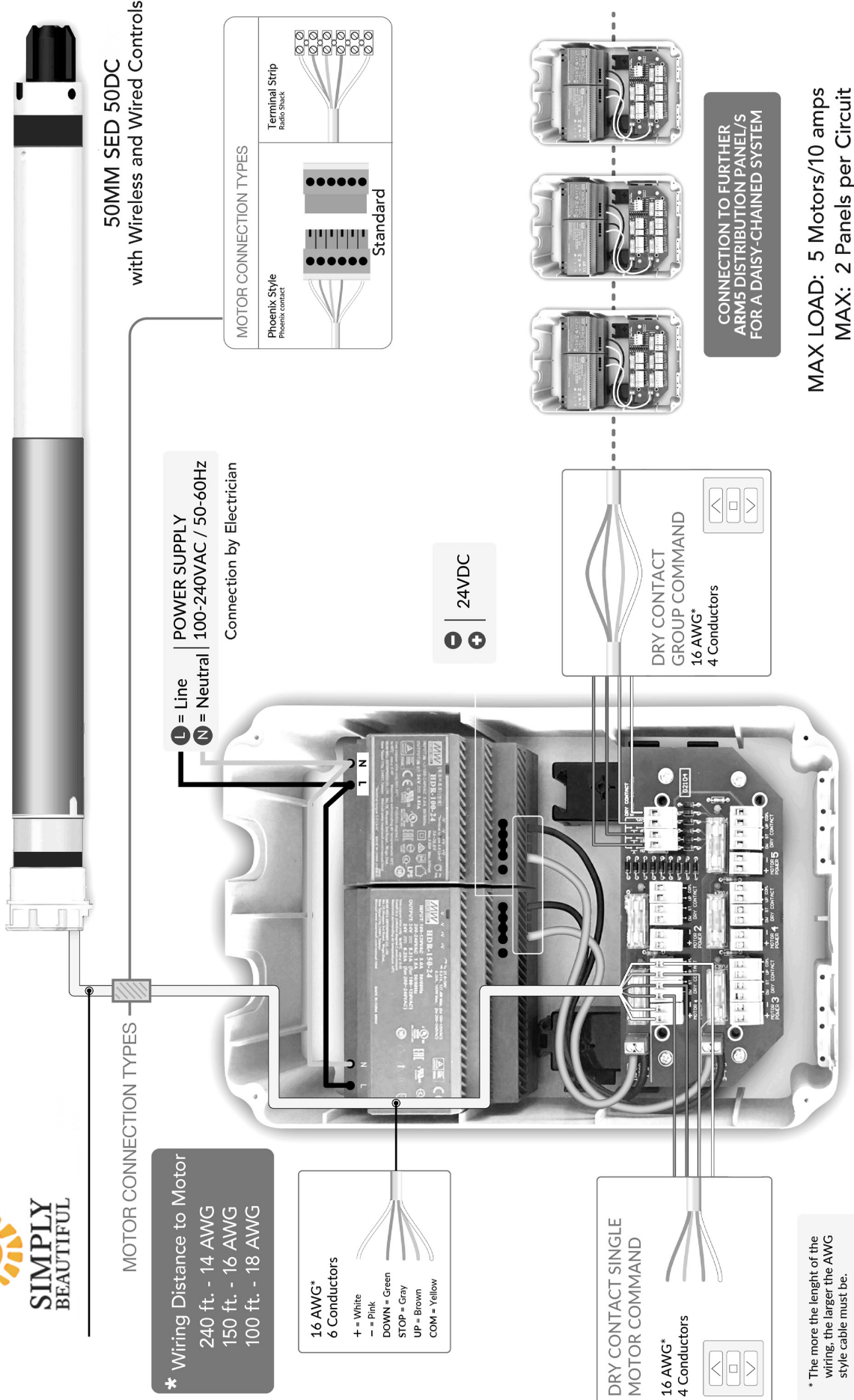
*All above dimensions based upon 1 1/2" (38mm) diameter roller.



1221 Admiral Street
Richmond, VA 23220

LuXoutShades.com
Office: 800.817.1204

PROJECT: _____
 SPECIFIER: _____
 CONTRACTOR: _____
 SUPPLIER: _____
 DATE: _____ REVISED: _____



PROJECT: _____

SPECIFIER: _____

CONTRACTOR: _____

SUPPLIER: _____

DATE: _____ REVISED: _____

SED Dual Roller Motorized Shade Fabric & Hardware Planning Sheet

SUBMITTAL
Technical Info

Please check all appropriate selections and attach room schedule with verified dimensions.
This document is to be used with the LuXout SED Motorized Submittal.
On the diagram below, please provide the following information:

If Specifying a Coupled Shade, also indicate desired locations for couplers.

Rear Roller Fabric: _____ Color / Number: _____ Openness Factor: _____ *Please see LuXout's Shade Fabric Reference Guide for fabric colors and specifications.
Front Roller Fabric: _____ Color / Number: _____ Openness Factor: _____ *Please see LuXout's Shade Fabric Reference Guide for fabric colors and specifications.

Please Note: Shade fabrics can be placed anywhere in the headbox.
Fabric or screen can be no closer than 13/16" to either end of the headbox.

SELECT DUAL ROLLER HARDWARE

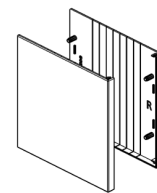
- Dual Endcaps Only**
- Dual Endcaps with Fascia 5.3"x5.3"**
- "L", "U" or "H" Channels for Light Gap Reduction**
 - 'L' Channel
 - 'U' Channel
 - 'H' Channel

(side channels require silent exposed hembar)

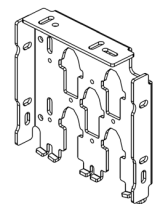
SELECT HARDWARE FINISH

Does not apply to Dual Roller Pocket Headbox

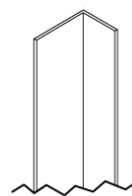
- Clear Anodized
- Black
- White (Standard)
- Custom (Contact LuXout Shades)



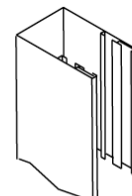
Dual Endcaps Only



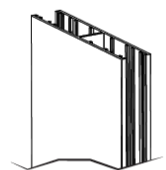
Dual Brackets w/Fascia



'L' Channel



'U' Channel



'H' Channel



1221 Admiral Street
Richmond, VA 23220

LuXoutShades.com
Office: 800.817.1204

PROJECT: _____
 SPECIFIER: _____
 CONTRACTOR: _____
 SUPPLIER: _____
 DATE: _____ REVISED: _____

SED Dual Roller Motorized Shade

Fabric & Hardware Planning Sheet

Dual Roller SED Motor Operated LuXout Shade Specifications

Two rollers mounted to a single set of endcaps, to accept fascia.

COMPONENTS SPECIFIC TO DUAL ROLLER SED OPERATED

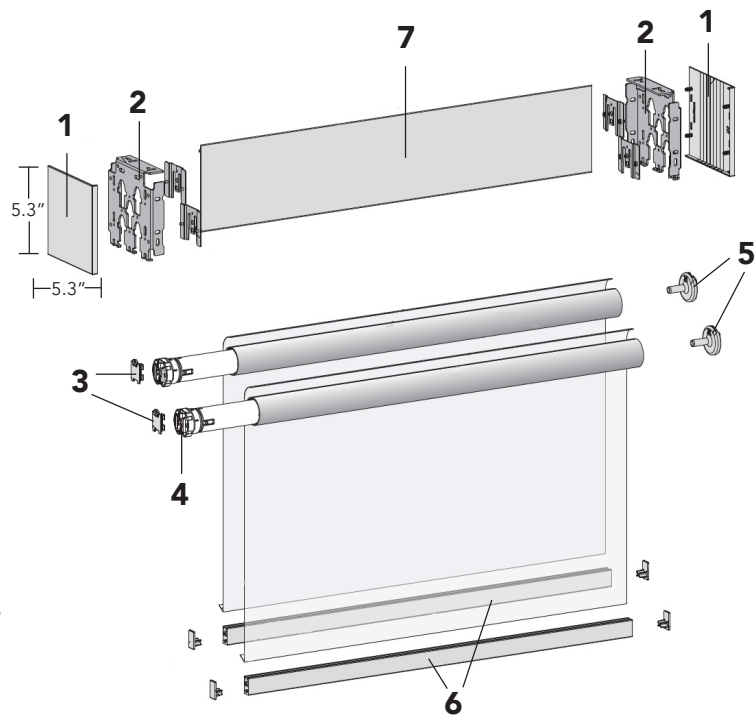
DUAL ROLLER ENDCAPS: Steel stamping. Complete with adapter roller bracket. Installs to wall or ceiling. Shades mount in vertical configuration (see drawings). Accepts Dual Roller Fascia.

DUAL FASCIA (FOR ENDCAPS): L-shaped cover of extruded aluminum. Assembly snaps onto endcaps without exposed fasteners. Clear anodized, black, white (standard), or custom powder coat finish available.

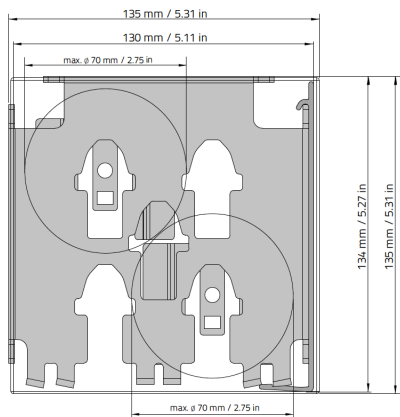
CUSTOM DUAL ROLLER POCKET STYLE HEADBOX (not shown):

Headbox of 18 GA Steel, painted white on bottom and front. With or without aluminum ceiling tile lip. Removable aluminum bottom closure attaches without exposed fasteners. Available in stock lengths for installation ahead of shades. Size 6"x9".

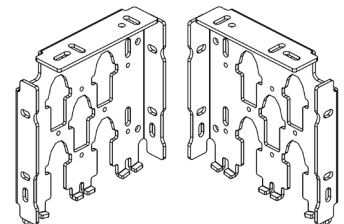
1. Dual Endcap Covers (White)
2. Brackets
3. Motor Adapter
4. SED Motor
5. Idler End
6. Hembar
7. Dual Roller Aluminum Fascia Panel



Dual Roller Chain Drive/SED Operated Endcap Dimensions



Dual Roller Clutch Operated Endcaps



1221 Admiral Street
Richmond, VA 23220

LuXoutShades.com
Office: 800.817.1204

PROJECT: _____
SPECIFIER: _____
CONTRACTOR: _____
SUPPLIER: _____
DATE: _____ REVISED: _____